

CTG1297 LOW DISTORTION HYDROPHONE



Features

The CTG1297 is a broadband, pre-amplified hydrophone offering high sensitivity and excellent beam pattern performance over a wide band. The hydrophone is especially configured to drive long cable lengths and to cope with large acoustic source levels with minimum distortion.

The CTG1297 is one of a series of high quality pre amplified hydrophones and as such can be made available with a wide variety of connectors and various power supply or output formats.

Advantages

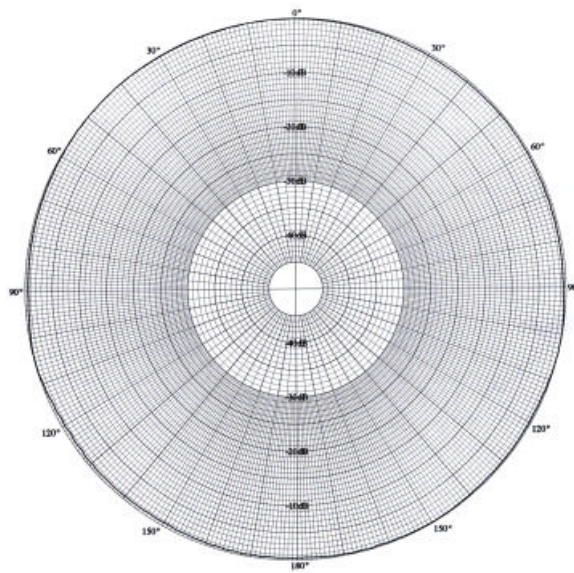
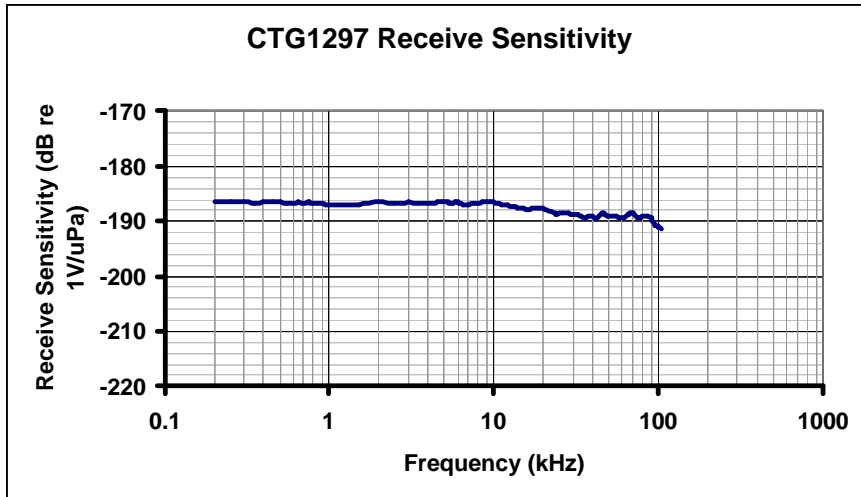
- Integral pre-amp
- Broadband operation
- Low noise performance
- Omni-directional response

Technical Specification

Nominal Resonant Frequency	110 kHz
Receive Sensitivity	-187 dB re 1V/ μ Pa@10 kHz 100 Ω diff. load
Maximum Acoustic Level	196 dB re 1 μ Pa@10kHz
Useable Frequency Range	10Hz -200 kHz
Horizontal Beam Pattern	Omni-directional \pm 1 dB @30kHz
Vertical Beam Pattern	>270 \pm 1 dB
Distortion	Less than 0.2% at 1Vrms@ 10kHz
Calibration input	-2.5dBV into 50 Ω for max. output
Power Supply	20-40 Vdc
Max Current Consumption	120 mA

Mechanical Specification

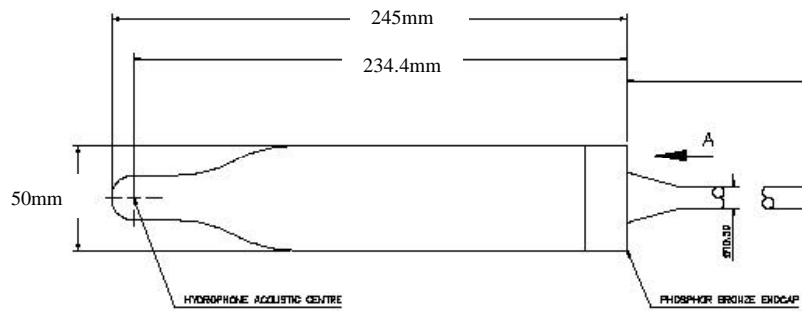
Operating Depth	300m
Operating Temperature Range	-2°C to +35°C
Cable	5m
Connector	Free Ends
Dimensions	Length 245mm Max OD 50mm
Weight	<1kg in air
Mounting	Phosphor bronze, 3 x M4 threaded mounting holes 120° on 40.5mm PCD
	CTG1297
Order Number	
	Specify any calibration, connector requirements



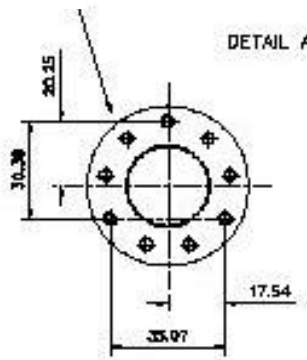
FREQUENCY:	30 kHz	3dB BEAMWIDTH:	N/A
0° ALIGNMENT:	MECHANICAL	OVERALL VARIATION:	.7dB
ROTATION:	360°	SMOOTHING APPLIED:	None

Connector Pin No. (If Applicable)	Wire Colour*	Signal name
1	Red	Output +ve
2	Blue	Output -ve
3	Blue	0V supply
4	Red	24V supply
5	Blue	Calibration
6	N/A	Cable Screen

* Free ends will be supplied fully labelled



3 x M4, 120° on
40.5mm PCD



Chelsea
Technologies
Group Ltd

55 Central Avenue
West Molesey
Surrey KT8 2QZ
United Kingdom
Tel: +44 (0)20 8481 9000
Fax: +44 (0)20 8941 9319
sales@chelsea.co.uk
www.chelsea.co.uk



CTG Reserve the right to change specifications without notice.
©Chelsea Technologies Group Ltd 10/08